

Anschütz autopilot

# PilotStar NX



# Precise autopilot with versatile functionality

## PilotStar NX

PilotStar NX is the state-of-the-art Anschütz autopilot, offering superior steering performance and an extended range of functionality for day-to-day use and special applications.

### Key Benefits



#### Reliable steering performance

PilotStar NX offers several steering modes, based on proven Anschütz steering algorithms which are known for their precision.

- Heading control mode: automatic steering on a defined heading
- NAV mode: follows the set point commands from route planning systems such as GPS receivers or chart plotters, including graphical and numerical presentation of deviations
- NFU/FU control: the rudder is controlled manually by using the soft buttons or the knob



#### Versatile functional range

PilotStar NX provides useful features that make both day-to-day operations and special applications safer and simpler.

- The "Heading & Rudder Plot" allows for simple adjustments of autopilot parameters to optimize steering performance and fuel consumption
- "Trim mode" reduces rudder activity and optimizes steering performance for vessels, with asymmetrical loads
- "Fix turn" allows predefined heading changes with a single push of a button



#### Long time secure investment

With its future-proof design and service features, PilotStar NX offers best value for money in newbuilding and retrofit projects.

- Easy to integrate into various system environments, and extendable with NautoSteer AS tillers for the design of compact steering gear control systems
- Compliant to latest performance and test standards for bridge alert management and standardized Ethernet communication (IEC 61162-450)

### Learn more



#### Reliable steering and versatile functionality

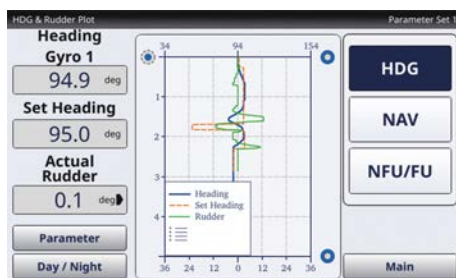
Visit the website to learn more about useful features for small and medium-sized cargo ships, workboats, fishing vessels, tugs and search operations:

[www.raytheon-anschuetz.com/pilotstar-nx](http://www.raytheon-anschuetz.com/pilotstar-nx)

# Simplified autopilot operation

Users will familiarize with PilotStar NX within a minimum of time.

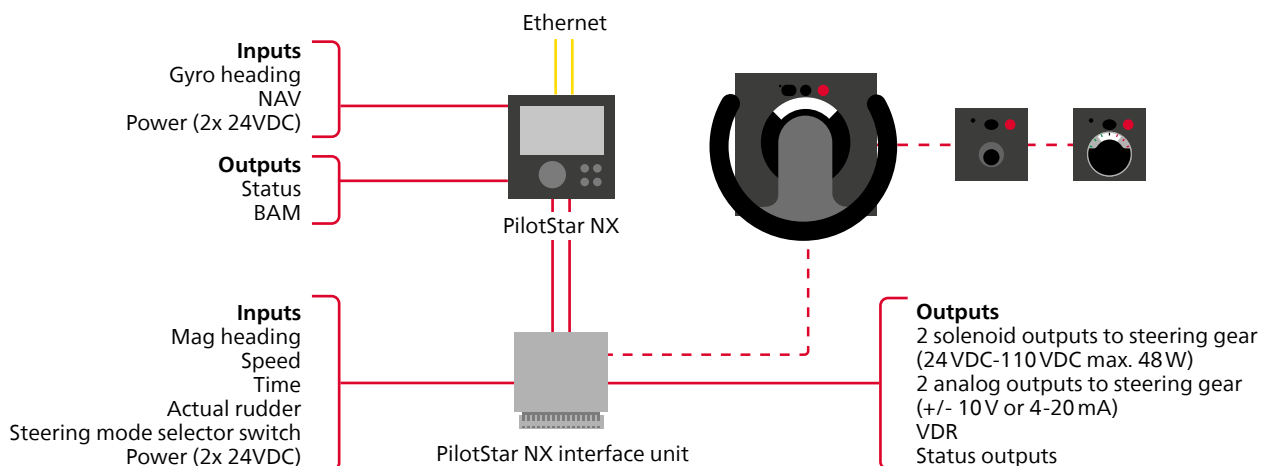
The large rotary knob is used for heading changes, while the 7" touch TFT display provides a clear menu structure and a well-arranged, graphical presentation of information to support navigators in parameter adjustments and various operations.



## System integration

PilotStar NX is easy to integrate in newbuilt or refit projects. For integrating it into a NautoSteer AS steering gear control system, the PilotStar NX just needs to be connected to the redundant CAN bus. Autopilot control is simply activated by pushing the heading control button. For use in combination with other steering gear control systems or in refits, an interface unit is available.

This easy to integrate interface unit provides a multitude of interfaces to the steering gear control system or directly to the steering gear. The heading control system can also be extended with manual controls such as FU tiller, NFU tiller and handwheel to form a compact steering gear control system.



## Supply voltage & power consumption

- 24 V DC (18-36 V DC)
- Approx. 25 W

## Signal inputs

- Heading (gyro, sat): THS, HDT, Course Bus
- Heading (magnetic): HDG, THS, HDT, Magnetic Sonde, Course Bus
- Speed: VHW, VBW, VTG
- Nav mode: APB

## Signal outputs

- VDR connection: HTD, RSA, PANZRSA, PANZSTA

## Ethernet interface

- 2 Ethernet interfaces in teaming mode (acc. to IEC 61162-450)

## Control of steering gear

- 2 switching outputs (24V DC – 110V DC, max. 48 W)
- 2 analog outputs (+/- 10 V DC, max. 5 mA, or 4–20 mA)

## Actual rudder from steering gear

+/-10V, 4-20mA, potentiometer

## Status/alerts

- Off-heading
- Heading monitor
- Steering failure
- System failure
- Autopilot on
- Alert communication acc. to IEC 62923-1/-2

## Temperature range

- Operation: -15°C to + 55°C
- Storage: -40°C to + 70°C

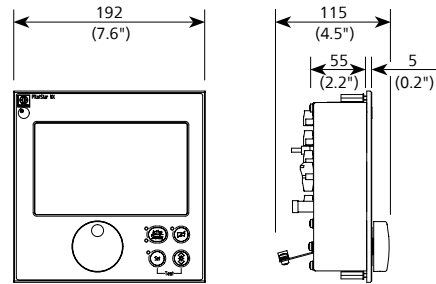
## Type approved as

- Heading control system
- Heading control system for high-speed craft

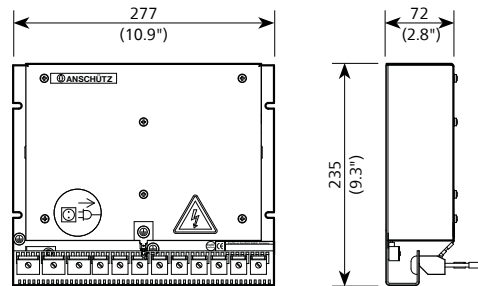
## Type of enclosure acc. to IEC 60529

- PilotStar NX operator unit: IP23 / IP56 (front side)
- PilotStar NX interface unit: IP 12

## PilotStar NX operator unit 1.5 kg



## PilotStar NX interface unit 3 kg



## Feedback unit 4 kg

